

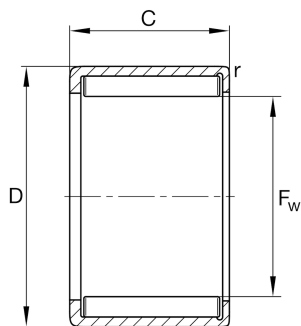
HN4520

Drawn cup needle roller bearing open end

Schaeffler ID:
0000369510000

Drawn cup needle roller bearings with open ends HN, full complement needle roller set

Technical information



Main Dimensions & Performance Data

F_w	45 mm	Under roller diameter
D	52 mm	Outside diameter
C	20 mm	Width, outer ring
C_r	38,500 N	Basic dynamic load rating, radial
C_{0r}	108,000 N	Basic static load rating, radial
C_{ur}	14,700 N	Fatigue load limit, radial
$n_{G \text{ Grease}}$	2,500 1/min	Limiting speed for grease lubrication
n_{gr}	3,400 1/min	Reference speed
	68 g	Weight

Dimensions

r_{\min}	0.8 mm	Minimum chamfer dimension
------------	--------	---------------------------

Temperature range

T_{\min}	-30 °C	Operating temperature min.
T_{\max}	140 °C	Operating temperature max.

Additional information

IR40X45X20-XL	Suitable inner rings IR
LR40X45X20,5	Suitable inner rings LR